


## PRODUCT SHEET

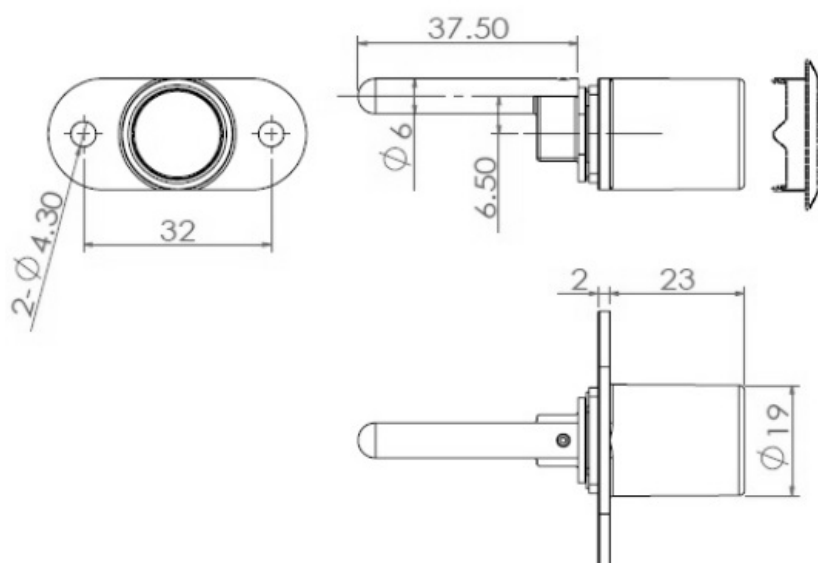
### Description:

Cent. Lock MIC1018S,  $\varnothing 19 \times 23 \text{mm}$ , 40mm Tail, Body Only, #01, 8mm Pegs, NPL, W/Accessories But No Cylinder Or Bar

### Item number:

14.03.148-9

Units	Box	Carton	HS Code	Barcode
Pcs.	24	240	8301300000	 5704866463140



### SISO A/S

Mileparken 11  
DK-2740 Skovlunde  
Denmark  
VAT: DK 24786013

Phone +45 45 830 900

[www.siso.dk](http://www.siso.dk)  
[siso@siso.dk](mailto:siso@siso.dk)

Danske Bank  
Nytorv Branch  
Copenhagen  
SWIFT: DABADKKK

Account no.  
4180 3112 112936  
IBAN Account  
DK7230003112112936